

Series S

Technical Specification

EN

MicroGas™ Microbubble Generator

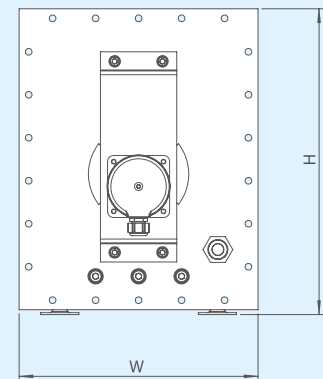
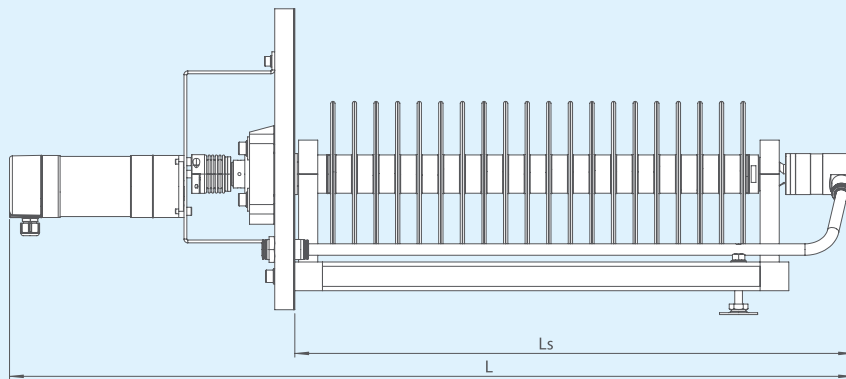
MicroGas™ is a device to produce gas microbubbles for flotation and gas transfer applications. MicroGas™ must be installed in a tank (flotation, column, reactor or similar) in order to be operated.

MicroGas™ units of the S series are partially submersible devices installed following a slide-in configuration through the wall of the tank.



MicroGas™ Series S	MicroGas™ 10S	MicroGas™ 15S	MicroGas™ 20S	MicroGas™ 25S	MicroGas™ 40S
Number of Ceramic Discs	10	15	20	25	40
Disc Diameter (cm)	15				
Performance – Flotation Applications – indicative only					
Treatable Water Flow per Unit (m³/h)	1 – 3	3 – 5	5 – 7	7 – 10	10 – 12
Operating Parameters					
Temperature (°C)	Standard: 5 – 60 / Upon request: up to 90				
pH	2 – 13				
TDS (mg/L)	< 5000 (*)				
Gas Specifications					
Gases	Air, Nitrogen, CO ₂ , Ozone*, Oxygen*, Methane* and Hydrogen*				
Nominal Gas Flow Rate (NI/min)	2 – 12	3 – 20	4 – 25	5 – 30	8 – 50
Operating Pressure (bar)	1 – 2				
Maximum Pressure (bar)	2,8				
Gas Quality	ISO 8573 – 1 : 2010 (4:4:3) or equivalent				

* Alternative materials for special applications (liquid medium or gas) available upon request



MicroGas™ Series S	MicroGas™ 10S	MicroGas™ 15S	MicroGas™ 20S	MicroGas™ 25S	MicroGas™ 40S
Dimensions and Weight					
L (mm)	700	700	900	1100	1100
Ls (submerged - mm)	400	400	600	800	800
W ** (mm)			250		
H ** (mm)			315		
Weight (kg)	17	19	20	22	24
Connections					
Gas Inlet			12 mm PU tube		
Motor Power Supply (V)			24 (DC)		
Motor Installed Power (kW)			0,06		
Motor Fuse (A)			2,0 (delay)		
Motor Power Consumption (kW)	0,02	0,02	0,02	0,03	0,03

** Special DN300 flanged door plate available upon request.

Standard Materials ***	
Discs	Alumina oxide (ceramic)
Sealings (Discs and Plate)	Nitrile Butadiene Rubber (NBR)
Plate	Polypropylene (PP)
Spacers	POM / PVC-U
Frame	Stainless steel 1.4404 / 1.4571
Shaft	Stainless steel 1.4404 / 1.4571
Air Connector	Stainless steel 1.4404 / 1.4571
Screws (Diffusor)	Stainless steel 1.4404 / 1.4571
Screws (Motor)	Stainless steel 1.4301
Motor Holder	Stainless steel 1.4301
Coupling	Stainless steel 1.4404 / 1.4571
Rotational Seal	Stainless steel 1.4404 / 1.4571
Ball Bearings	Ceramic

*** Alternative materials for special applications available upon request.